

FREEZER & CHILLER system

## QUICK FREEZING *series*

Thermobake srl

Via A. Volta 62B - 21010 | Tel. +39 0331 1835350  
Cardano al Campo (VA) | Fax. +39 0331 1835364

Email: [info@thermogel.it](mailto:info@thermogel.it)  
[www.thermogel.it](http://www.thermogel.it)



FOR RACKS / PER CARRELLI



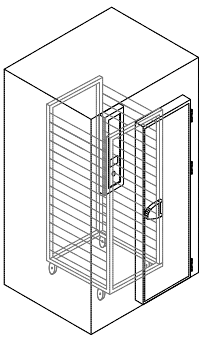
Code	Rotors	(LxPxH) External	Door	HP	Kg/h	Volts/Kw
95QF30	1- 450x600	1460x1100x2400	1 600x1950	3	30	400/3,5
95QF60	1- 670x800	1660x1300x2400	1 800x1950	5	50/60	400/4,5
95QF80	1- 800x1000	1850x1300x2400	1 900x1950	7,5	60/80	400/7
95QF120	2 - 670x800	1850x2100x2400	2 900x1950	10	100/120	400/9
95QF180	2 - 800x1000 3 - 670x800	1850x2400x2400	2 900x1950	15	120/160	400/13
95QF280	3 - 800x1000 4 - 670x800	2100x3600x2400	2 900x1950	20	220/240	400/17
95QF380	4 - 800x1000 6 - 670x800	2100x4500x2400	2 900x1950	30	320/380	400/25
95QF420	6 - 800x1000 8 - 670x800	2100x6900x2400	2 900x1950	2x20	420/480	400/33,5
95QF630	8 - 800x1000 10 - 670x800	2100x8800x2400	2 900x1950	2x30	630/690	400/50

Thermobake srl

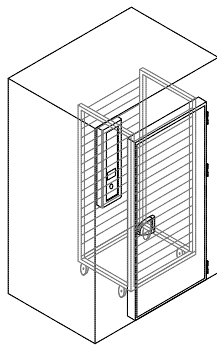
Via A. Volta 62B - 21010 | Tel. +39 0331 1835350  
Cardano al Campo (VA) | Fax. +39 0331 1835364

Email: [info@thermogel.it](mailto:info@thermogel.it)  
[www.thermogel.it](http://www.thermogel.it)

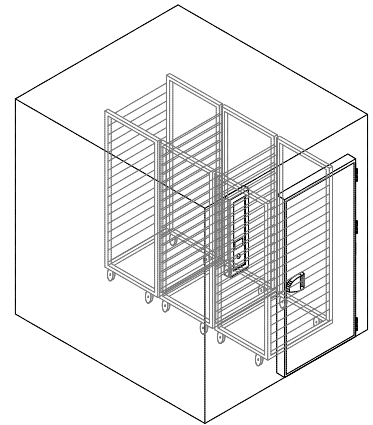
QF 30



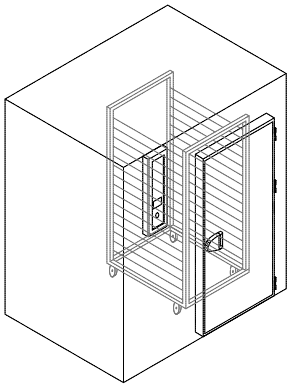
QF 60



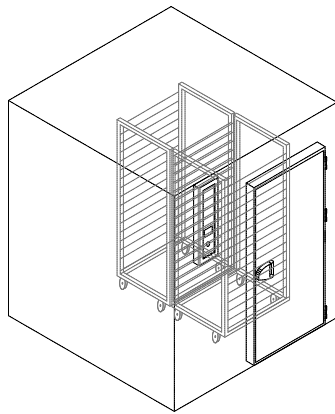
QF 180



QF 80



QF 120



QF 280

